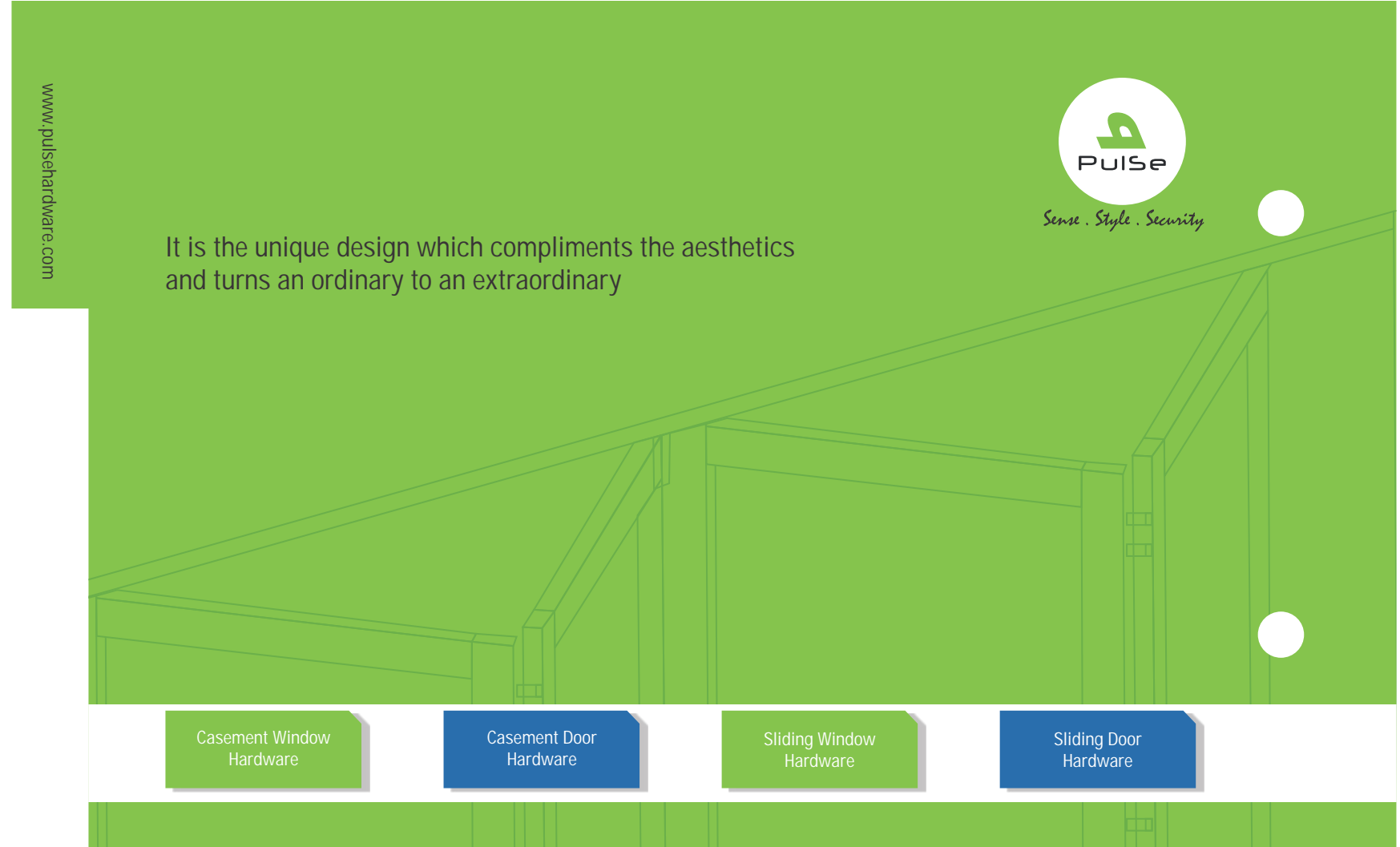




uPVC Hardware



www.pulsehardware.com

Casement Window Hardware

Casement Door Hardware

Sliding Window Hardware

Sliding Door Hardware



www.pulsehardware.com



PULSE
Sense . Style . Security

- Handles, espagnolettes & hinges for windows
- Used for top hung, side hung and bottom hung applications
- Composed of die cast aluminium & zamak alloy, plated steel and SS304 stainless steel
- Supplied complete with internal components
- Available with key facility for added security
- 10 Years guarantee

www.pulsehardware.com

uPVC Hardware



Sense . Style . Security



Espagnolette Handle
Code : PL10121

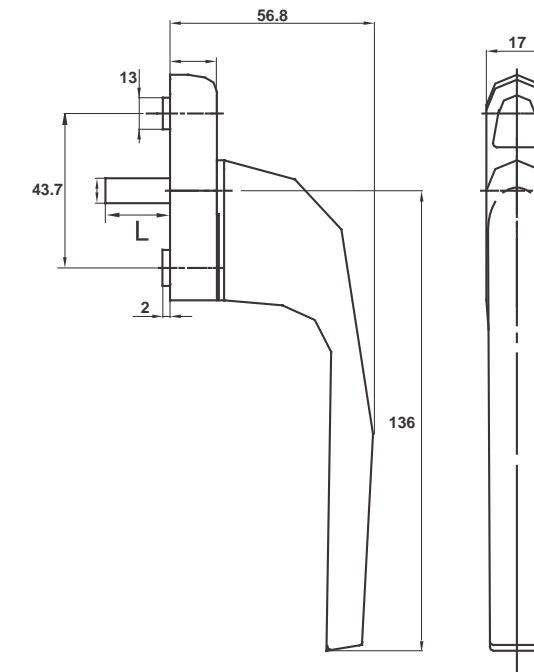
- Application : uPVC window
- Finish : Powder coated white
- Special Feature : Multipoint locking handle for casement window without key

We guarantee dispatch within 48 hours of order confirmation

For enquiry call us now on +91-11-47348888, email: info@pulsehardware.com



Sense . Style . Security



Espagnolette Handle
Code : PL10121

VER-2

www.pulsehardware.com



Sense . Style . Security

uPVC Hardware

Espagnolette Handle
Code : PL10122



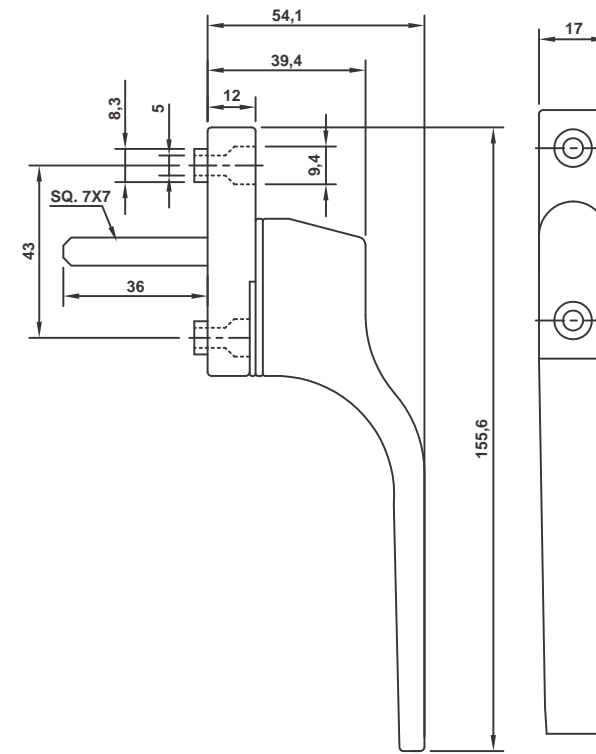
- Application : uPVC window
- Finish : Powder coated white
- Special Feature : Multipoint locking handle for casement window without key

We guarantee dispatch within 48 hours of order confirmation

For enquiry call us now on +91-11-47348888, email: info@pulsehardware.com



Sense . Style . Security



Espagnolette Handle
Code : PL10122

VER-2

www.pulsehardware.com

uPVC Hardware



Sense . Style . Security



Espagnolette Handle
Code : PL10131

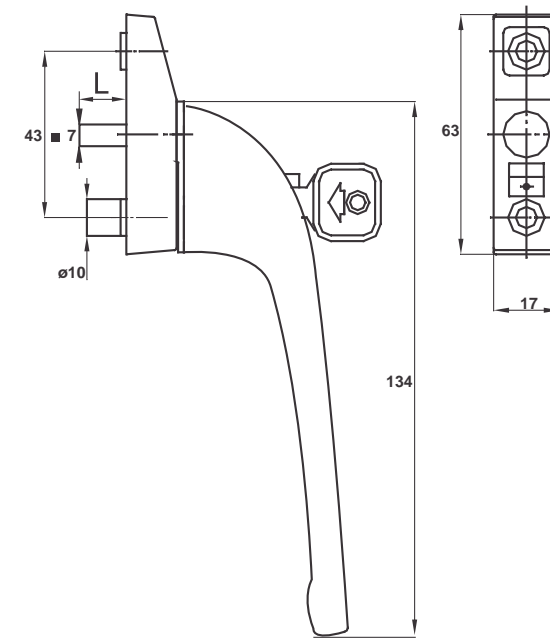
- Application : uPVC window
- Finish : Powder coated white
- Special Feature : Multipoint locking handle for casement window with key

We guarantee dispatch within 48 hours of order confirmation

For enquiry call us now on +91-11-47348888, email: info@pulsehardware.com



Sense . Style . Security



Espagnolette Handle
Code : PL10131

VER-2

www.pulsehardware.com

uPVC Hardware



Sense . Style . Security

Espagnolette (Euro type)
Code : PL10201, PL10221, PL10231, PL10241, PL10271



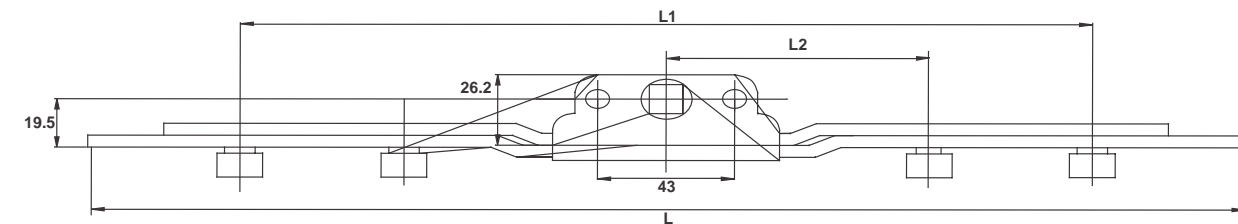
- Application : uPVC window
- Finish : Zinc plated
- Special Feature : Multipoint locking mechanism for casement windows with adjustable roller locking points
- : Available in different sizes

We guarantee dispatch within 48 hours of order confirmation

For enquiry call us now on +91-11-47348888, email: info@pulsehardware.com



Sense . Style . Security



Code	L (mm)	L1 (mm)	L2 (mm)	Backset (mm)
PL10201	400	160	NA	19.5
PL10221	800	560	NA	19.5
PL10231	1000	760	NA	19.5
PL10241	1200	960	285	19.5
PL10271	1800	1560	285	19.5



VER-2

www.pulsehardware.com

uPVC Hardware



Sense . Style . Security

Espagnolette (Euro type)
Code : PL10203, PL10223, PL10233, PL10243, PL10273



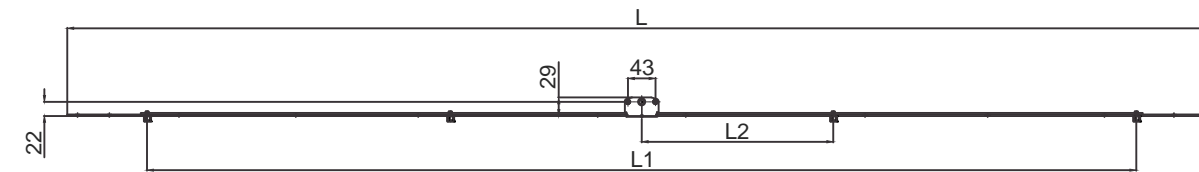
- Application : uPVC window
- Finish : Zinc plated
- Special Feature : Multipoint locking mechanism for casement windows with adjustable roller locking points
- : Available in different sizes

We guarantee dispatch within 48 hours of order confirmation

For enquiry call us now on +91-11-47348888, email: info@pulsehardware.com



Sense . Style . Security



Code	L (mm)	L1 (mm)	L2 (mm)	Backset (mm)
PL10203	400	268	NA	22
PL10223	800	550	NA	22
PL10233	1000	868	94	22
PL10243	1200	1068	94	22
PL10273	1800	1550	300	22



VER-2

www.pulsehardware.com

uPVC Hardware



Sense . Style . Security

Espagnolette (British type)
Code : PL10222, PL10232, PL10242



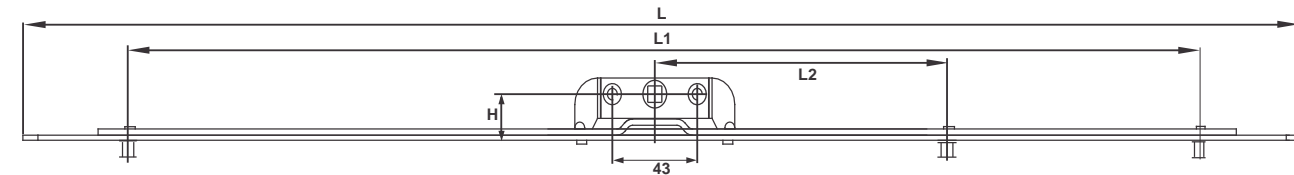
- Application : uPVC window
- Finish : Zinc plated
- Special Feature : Multipoint locking mechanism for casement windows with adjustable mushroom locking points for night vent application
- : Available in different sizes

We guarantee dispatch within 48 hours of order confirmation

For enquiry call us now on +91-11-47348888, email: info@pulsehardware.com



Sense . Style . Security



Code	L (mm)	L1 (mm)	L2 (mm)	Backset (mm)
PL10222	800	686	NA	20
PL10232	1000	886	294	20
PL10242	1200	1086	394	20



VER-2

uPVC Hardware



Sense . Style . Security



Friction Stay
Code : , PLLDMA10, PLLDMA12, PLLDMA16

- Application : Aluminium / uPVC / timber windows
- Finish : Stainless steel finish
- Special Feature : Suitable for top hung side hung casement windows
- : Made of high quality 304 grade stainless steel
- : Available in different sizes and in 16mm stack height

We guarantee dispatch within 48 hours of order confirmation

For enquiry call us now on +91-11-47348888, email: info@pulsehardware.com



Sense . Style . Security



Code	Window Type	Application	Steel Grade	Length (inch/mm)	Max Vent Height (mm)	Max Vent Width (mm)	Max Vent Weight (kg)	Opening Angle*	Stack Ht. (mm)
PLLDMA10"	Side Hung	Aluminium / uPVC / Timber Window	ss304	397.4	1200	500	14	88	16 +/-0.5
PLLDMA12"	Side Hung	Aluminium / uPVC / Timber Window	ss304	250	1200	400	18	88	16 +/-0.5
PLLDMA16"	Side Hung	Aluminium / uPVC / Timber Window	ss304	400	1200	700	44	87	16 +/-0.5
PLLDMA10"	Side Hung	Aluminium / uPVC / Timber Window	ss201	397.4	1200	500	14	88	16 +/-0.5
PLLDMA12"	Side Hung	Aluminium / uPVC / Timber Window	ss201	250	1200	400	18	88	16 +/-0.5
PLLDMA16"	Side Hung	Aluminium / uPVC / Timber Window	ss201	400	1200	700	44	87	16 +/-0.5

* ±2°



www.pulsehardware.com

uPVC Hardware



Sense . Style . Security

Universal striker

We guarantee dispatch within 48 hours of order confirmation



PL10901



PL10902



PL10903



PL10904



PL10905

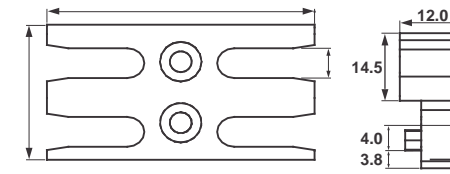


PL25801

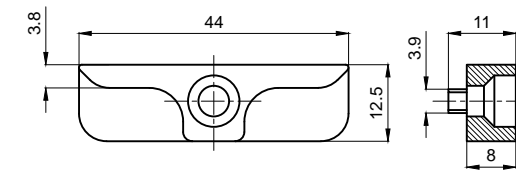
For enquiry call us now on +91-11-47348888, email: info@pulsehardware.com



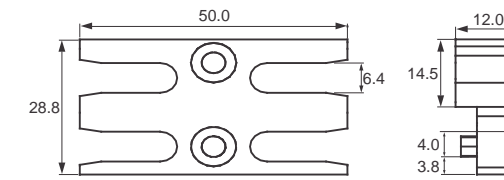
Sense . Style . Security



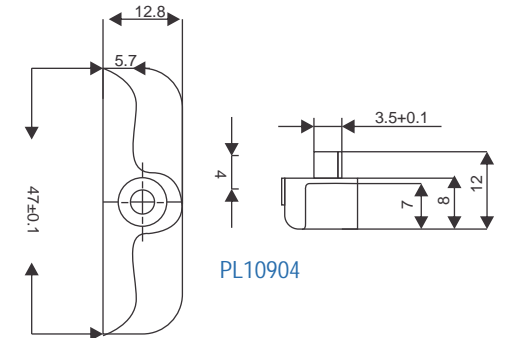
PL10901



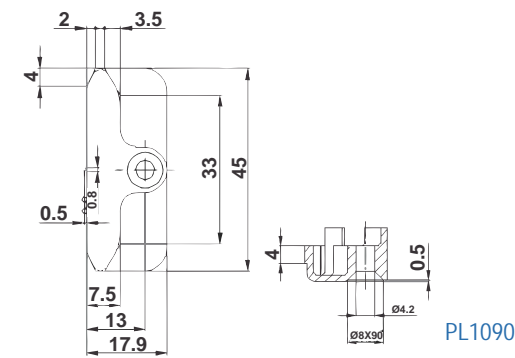
PL10902



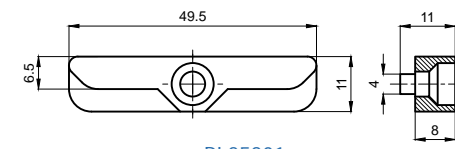
PL10903



PL10904



PL10905



PL25801

VER-2

www.pulsehardware.com

uPVC Hardware



Sense . Style . Security

Cockspur Handle
Code : PL10142L/42R



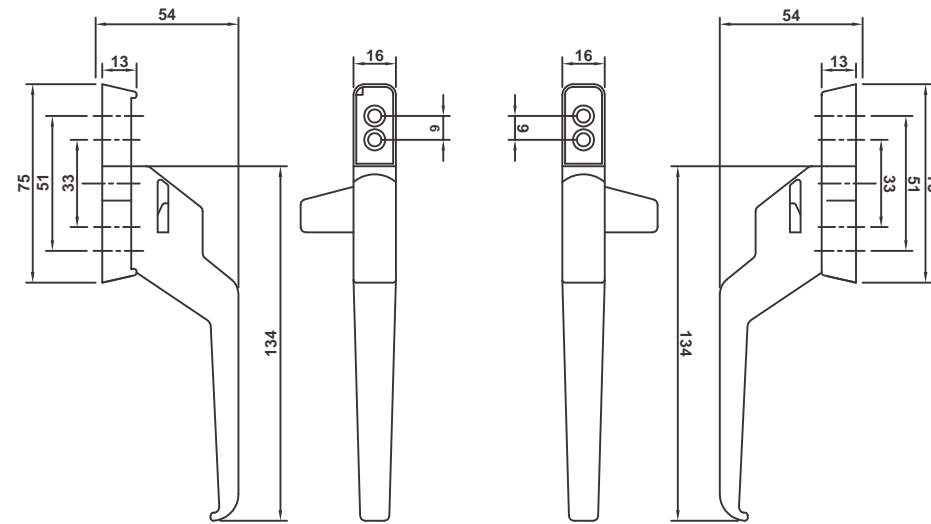
- Application : Aluminium / uPVC / timber windows
- Finish : Powder coated white
- Special Feature : Single point locking handle for casement windows
- Special Feature : Supplied with packers to fit all profile systems

We guarantee dispatch within 48 hours of order confirmation

For enquiry call us now on +91-11-47348888, email: info@pulsehardware.com



Sense . Style . Security



Cockspur Handle
Code : PL10142L/42R



VER-2

uPVC Hardware



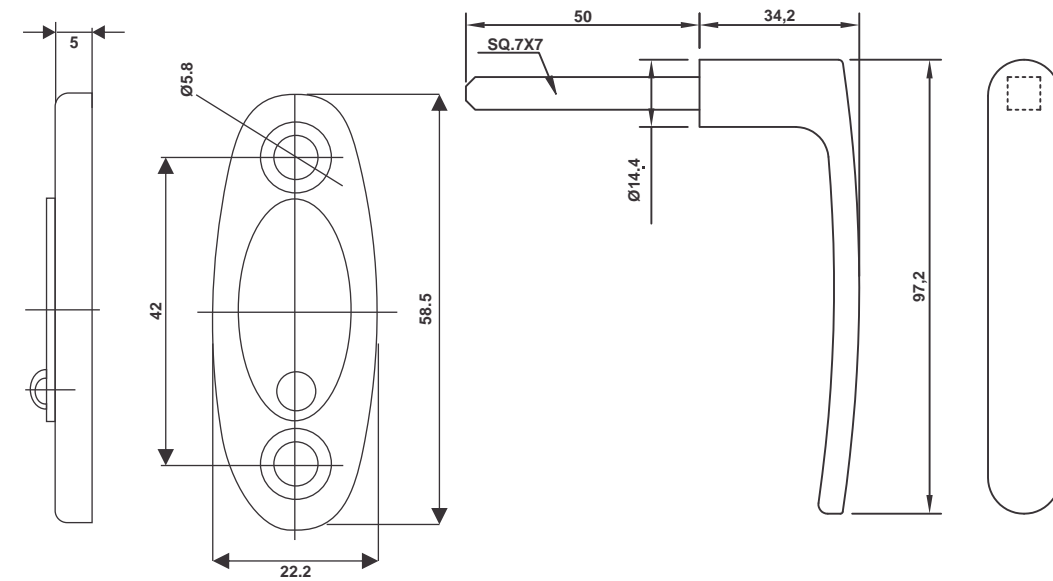
Seat
PL10171

Allen Key Handle
PL10161

- Application : uPVC windows
- Finish : Powder coated white
- Special Feature : Detachable multipoint locking handle & cover

We guarantee dispatch within 48 hours of order confirmation

For enquiry call us now on +91-11-47348888, email: info@pulsehardware.com



Seat
PL10171

Allen Key Handle
PL10161

www.pulsehardware.com

uPVC Hardware



Sense . Style . Security



Window Hinge
Code : PL10341

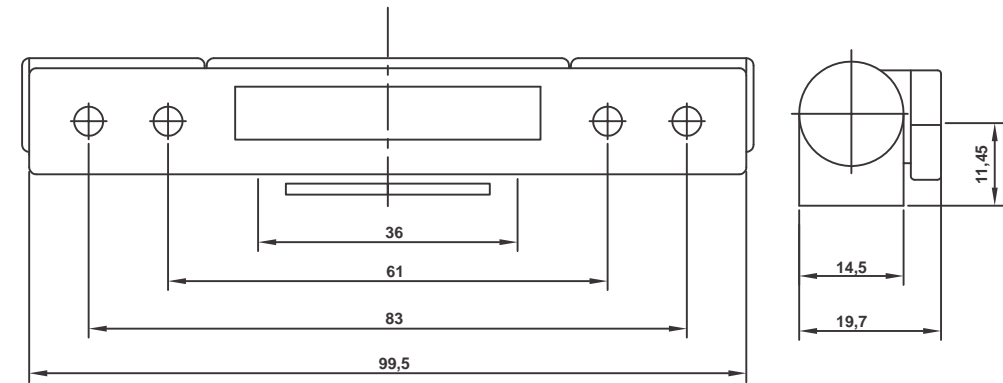
Application : uPVC windows
Finish : Powder coated white
Special Feature : Butt hinge for outward opening windows

We guarantee dispatch within 48 hours of order confirmation

For enquiry call us now on +91-11-47348888, email: info@pulsehardware.com



Sense . Style . Security



Window Hinge
Code : PL10341

VER-2



Casement
Door
Hardware



PULSE

Sense . Style . Security

www.pulsehardware.com



PULSE

Sense . Style . Security

- Handles, hinges and multipoint locking solutions for casement doors
- Used for inward and outward opening windows
- Single side locking with handle and both side locking solution with multipoint lock and cylinder
- Complete casement door hardware solutions available
- 10 Years guarantee



www.pulsehardware.com



uPVC Hardware



Sense . Style . Security

Espagnolette
Code : PL25271



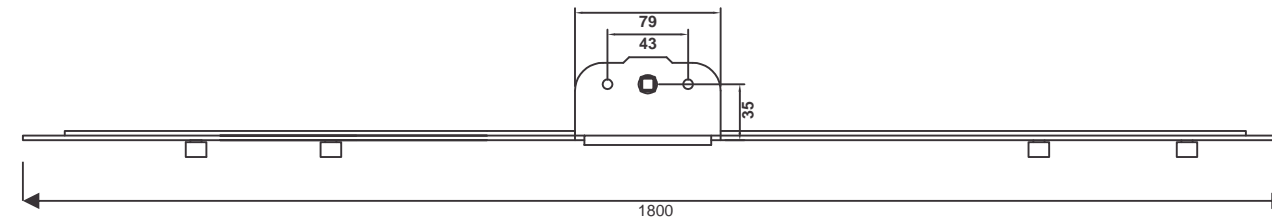
Application : uPVC casement door
Finish : Zinc plated
Special Feature : Multipoint locking mechanism for casement doors without key locking facility

We guarantee dispatch within 48 hours of order confirmation

For enquiry call us now on +91-11-47348888, email: info@pulsehardware.com



Sense . Style . Security



Code	Backset (mm)	Length (mm)	Lock width (mm)	Spindle Dia. (mm)	Remark
PL25271	35	1800	48	7	Non Lockable



Espagnolette
Code : PL25271

VER-2

www.pulsehardware.com

uPVC Hardware



Sense . Style . Security

Espagnolette
Code : PL25281, PL25301



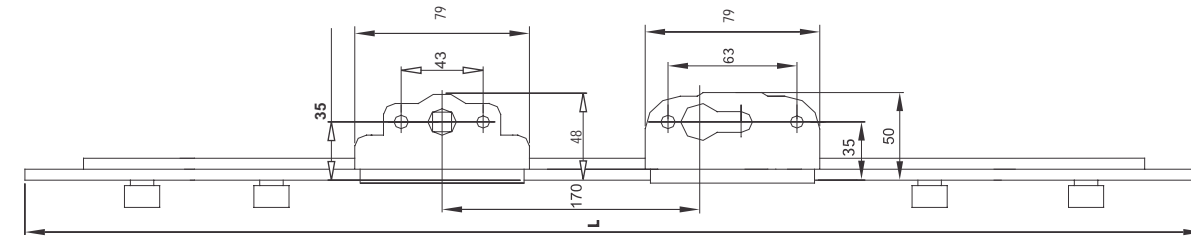
Application : uPVC casement door
Finish : Zinc plated
Special Feature : Multipoint locking mechanism for casement doors without key locking facility

We guarantee dispatch within 48 hours of order confirmation

For enquiry call us now on +91-11-47348888, email: info@pulsehardware.com



Sense . Style . Security



Code	Backset (mm)	Length (mm)	Lock width (mm)	Distance (mm)	Spindle Dia. (mm)	Remark
PL25281	35	1800	50	170	7	Lockable
PL25281	35	2100	50	170	7	Lockable



Espagnolette
Code : PL25281, PL25301

VER-2



uPVC Hardware



Sense . Style . Security

Espagnolette- Integrated Lock
Code : PL25351



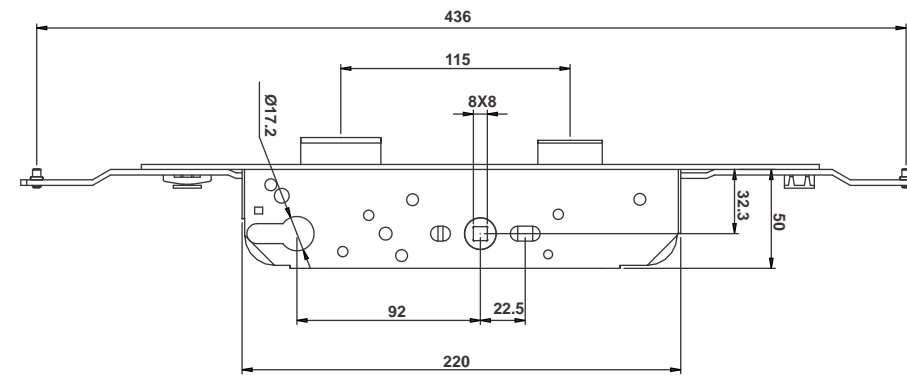
- Application : uPVC casement door
- Finish : Zinc plated
- Special Feature : Multi point door lock with dead bolt and cylinder 35mm backset
- : Suitable for all uPVC profile system

We guarantee dispatch within 48 hours of order confirmation

For enquiry call us now on +91-11-47348888, email: info@pulsehardware.com



Sense . Style . Security



Code	Backset (mm)	Length (mm)	Lock width (mm)	Distance (mm)	Spindle Dia. (mm)	Remark
PL25351	32.5	2100	50	92	8	Lockable

Note: Central Striker included with the espagnolette-integrated lock



Espagnolette- Integrated Lock
Code : PL25351

www.pulsehardware.com

uPVC Hardware



Sense . Style . Security

Espagnolette- Integrated Lock
Code : PL25352



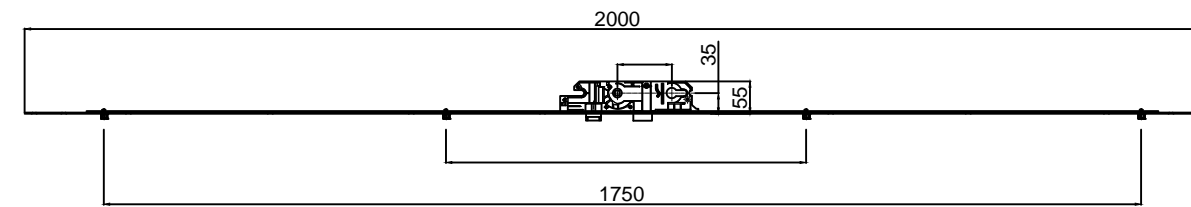
Application : uPVC casement door
Finish : Zinc plated
Special Feature : Multi point door lock with dead bolt
and cylinder 35mm backset
: Suitable for all uPVC profile system

For enquiry call us now on +91-11-47348888, email: info@pulsehardware.com

We guarantee dispatch within 48 hours of order confirmation



Sense . Style . Security



Code	Backset (mm)	Length (mm)	Lock width (mm)	Distance (mm)	Spindle Dia. (mm)	Remark
PL25352	35	2000	55	92	8	Lockable

Note: Central Striker included with the espagnolette-integrated lock



Espagnolette- Integrated Lock
Code : PL25352

VER-2

www.pulsehardware.com

uPVC Hardware



Sense . Style . Security

Espagnolette-Double Handle
Code : PL25322



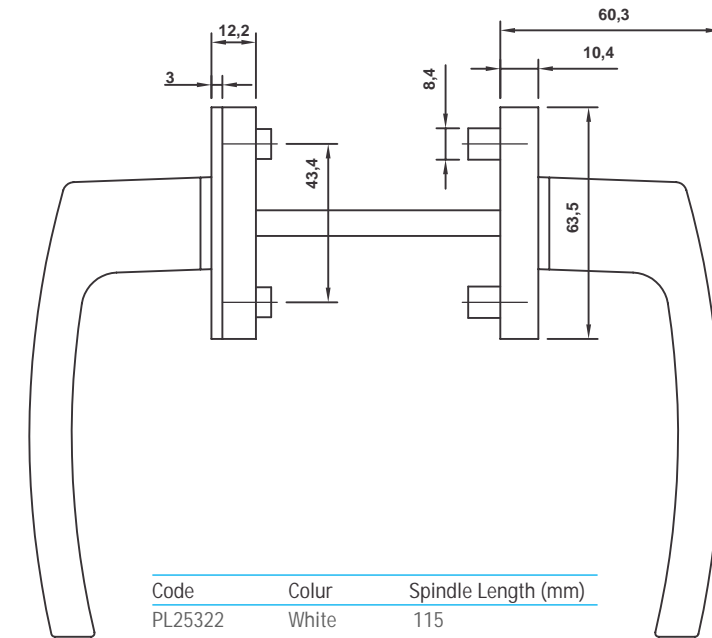
Application : uPVC casement and sliding door
Finish : Powder coated white
Special Feature : Multipoint door handle with both side operation without key

We guarantee dispatch within 48 hours of order confirmation

For enquiry call us now on +91-11-47348888, email: info@pulsehardware.com



Sense . Style . Security



Espagnolette-Double Handle
Code : PL25322

VER-2

www.pulsehardware.com

uPVC Hardware



Sense . Style . Security

Espagnolette-Double Handle
Code : PL25332



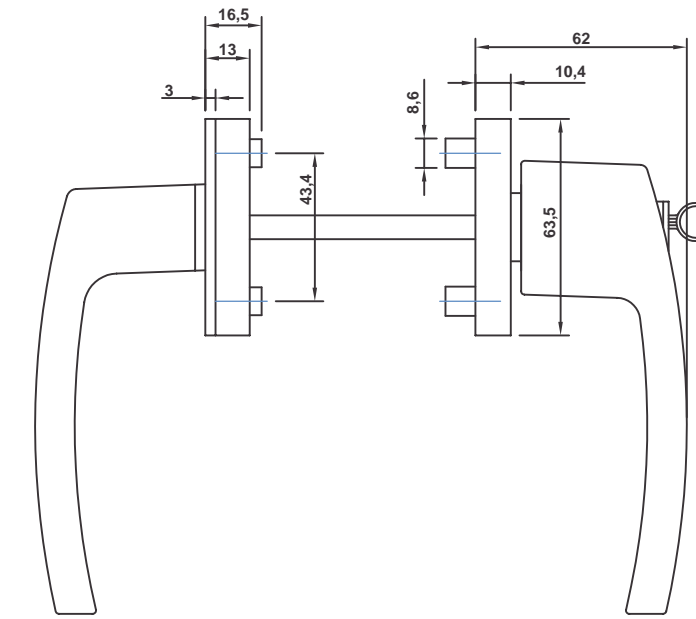
Application : uPVC casement and sliding door
Finish : Powder coated white
Special Feature : Multipoint door handle with both side operation with one side key

We guarantee dispatch within 48 hours of order confirmation

For enquiry call us now on +91-11-47348888, email: info@pulsehardware.com



Sense . Style . Security



Code	Color	Spindle Length (mm)	Remark
PL25332	White	115	One side key

Espagnolette-Double Handle
Code : PL25332

VER-2

www.pulsehardware.com

uPVC Hardware



Sense . Style . Security



Handle - Integrated Lock
Code : PL25452

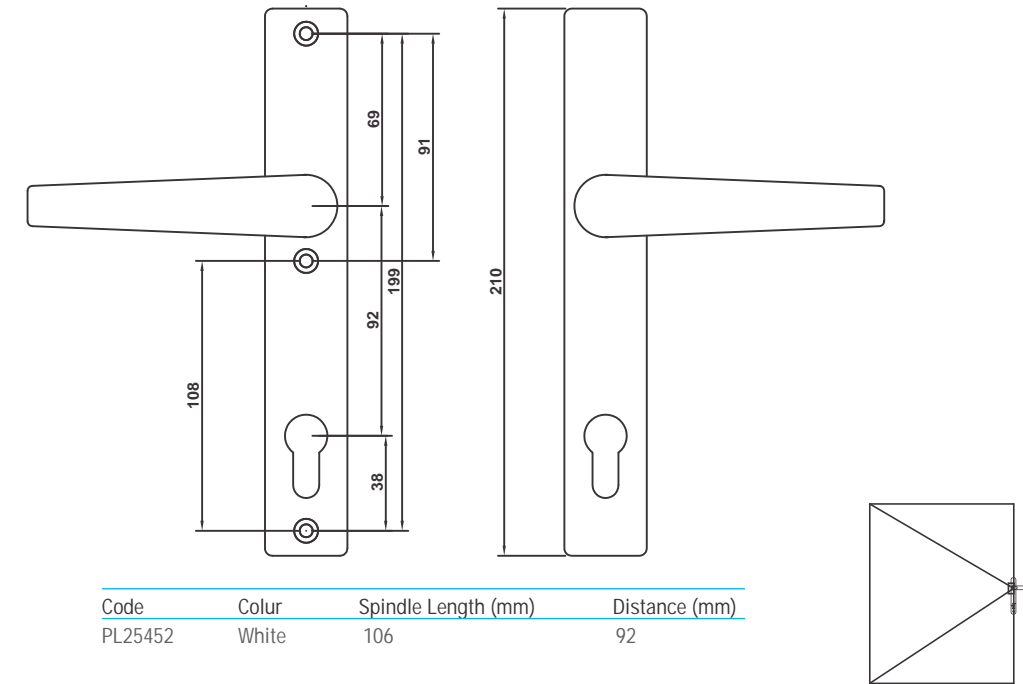
- Application : uPVC casement door
- Finish : Powder coated white
- Special Feature : Handle for door integrated lock with 92mm distance
- : Suitable for all uPVC profile system

We guarantee dispatch within 48 hours of order confirmation

For enquiry call us now on +91-11-47348888, email: info@pulsehardware.com



Sense . Style . Security



Code	Color	Spindle Length (mm)	Distance (mm)
PL25452	White	106	92



Handle - Integrated Lock
Code : PL25452

VER-2



Sense . Style . Security



Knob Cylinder
PL25671



Double Cylinder
PL25672



Double Cylinder
PL25673

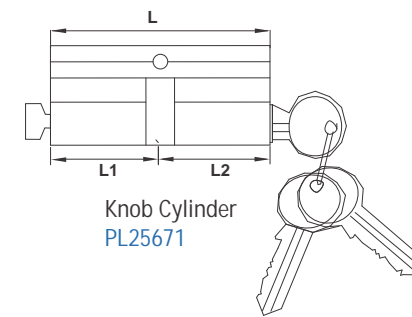
- Application : uPVC casement door
- Finish : Silver
- Special Feature : Double Key / Knob
- Special Feature : Different sizes for different profile systems

We guarantee dispatch within 48 hours of order confirmation

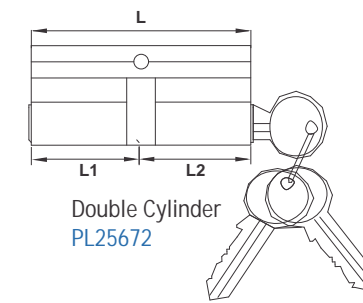
For enquiry call us now on +91-11-47348888, email: info@pulsehardware.com



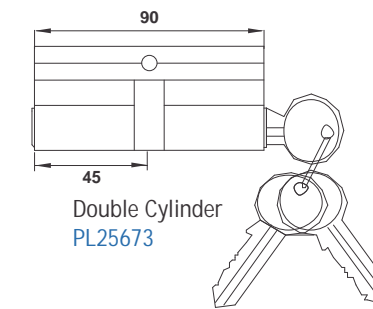
Sense . Style . Security



Knob Cylinder
PL25671



Double Cylinder
PL25672



Double Cylinder
PL25673



Code	Cylinder type	Finish	L(mm)	L1(mm)	L2(mm)
PL25671	Knob	Silver	80	40	40
PL25672	Double	Silver	80	40	40
PL25673	Double	Silver	90	45	45

www.pulsehardware.com

uPVC Hardware



Sense . Style . Security

Cylinder Cover
Code : PL25701/02



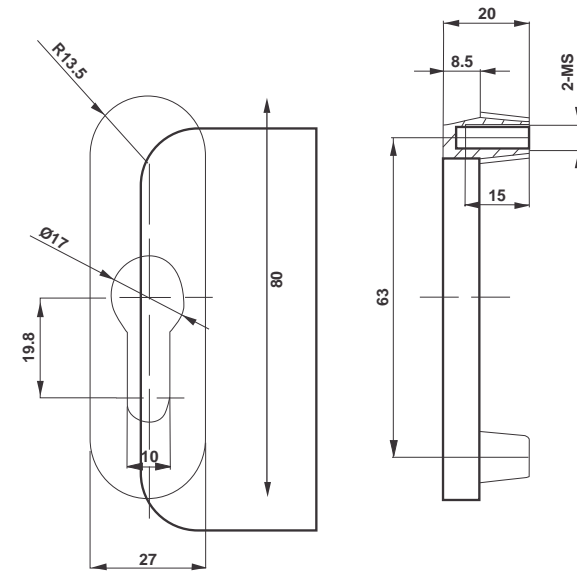
Application : uPVC casement door
Finish : Powder coated white
Special Feature : Cylinder cover

We guarantee dispatch within 48 hours of order confirmation

For enquiry call us now on +91-11-47348888, email: info@pulsehardware.com



Sense . Style . Security



Cylinder Cover
Code : PL25701/02

VER-2

www.pulsehardware.com

uPVC Hardware



Sense . Style . Security

3D Adjustable Door Hinge
Code : PL25861



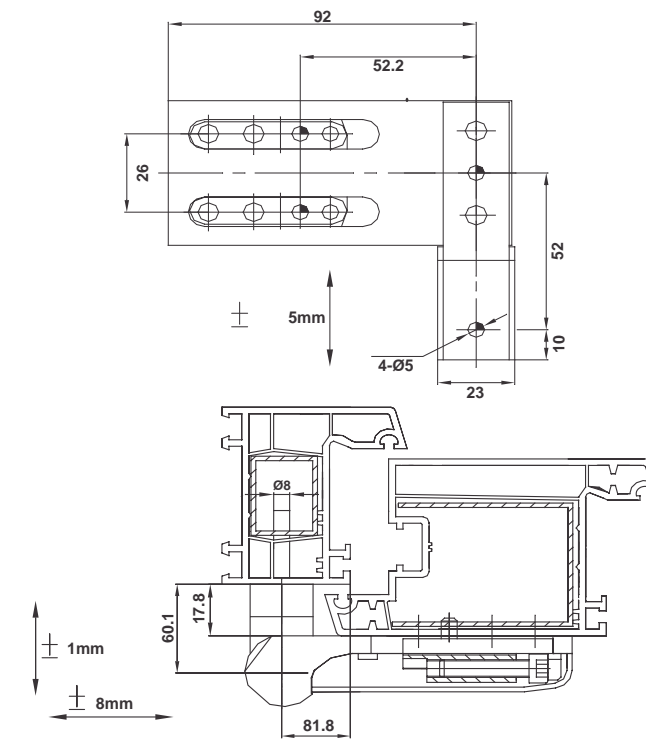
Application : uPVC casement door
Finish : Powder coated white
Special Feature : High load bearing capacity of 120kg with 3 hinges

We guarantee dispatch within 48 hours of order confirmation

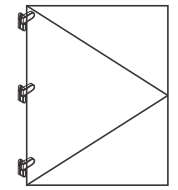
For enquiry call us now on +91-11-47348888, email: info@pulsehardware.com



Sense . Style . Security



3D Adjustable Door Hinge
Code : PL25861



VER-2

www.pulsehardware.com

uPVC Hardware



Sense . Style . Security

Door Bolt
Code : PL25441



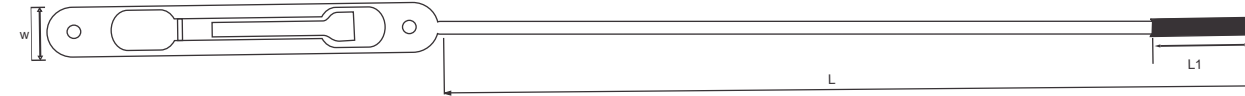
We guarantee dispatch within 48 hours of order confirmation

Application : uPVC / aluminium door
Finish : Powder coated white
Special Feature : Flush door bolt

For enquiry call us now on +91-11-47348888, email: info@pulsehardware.com



Sense . Style . Security



Code	COLOUR	Bolt Bar Length (mm)	Cap Length L1 (mm)	Plate Width
PL25441	WHITE	350	30	20



Door Bolt
Code : PL25441

VER-2



Universal striker



PL10901



PL10902



PL10903



PL10904

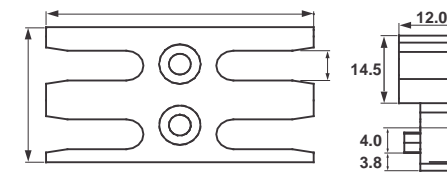


PL10905

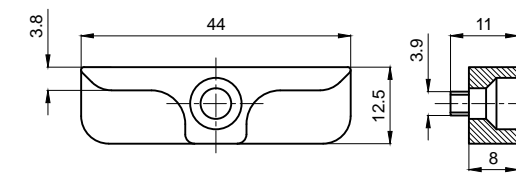


PL25801

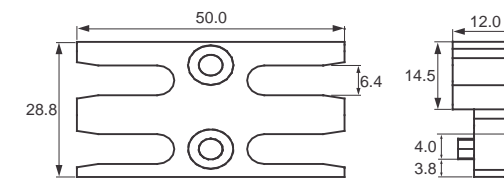
We guarantee dispatch within 48 hours of order confirmation



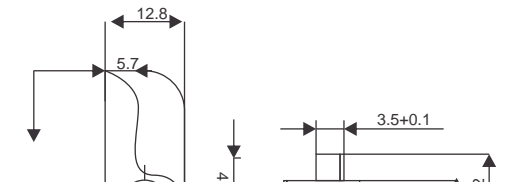
PL10901



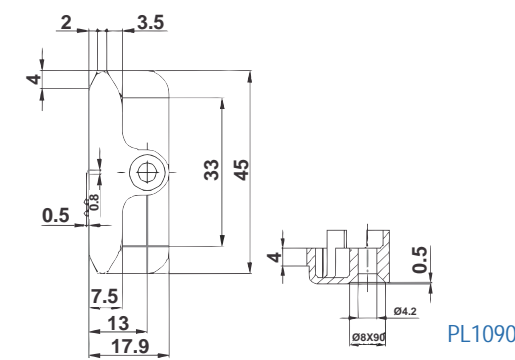
PL10902



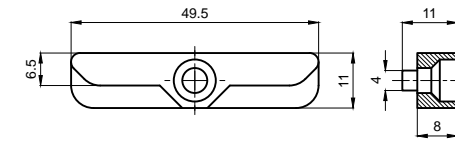
PL10903



PL10904




PL10905



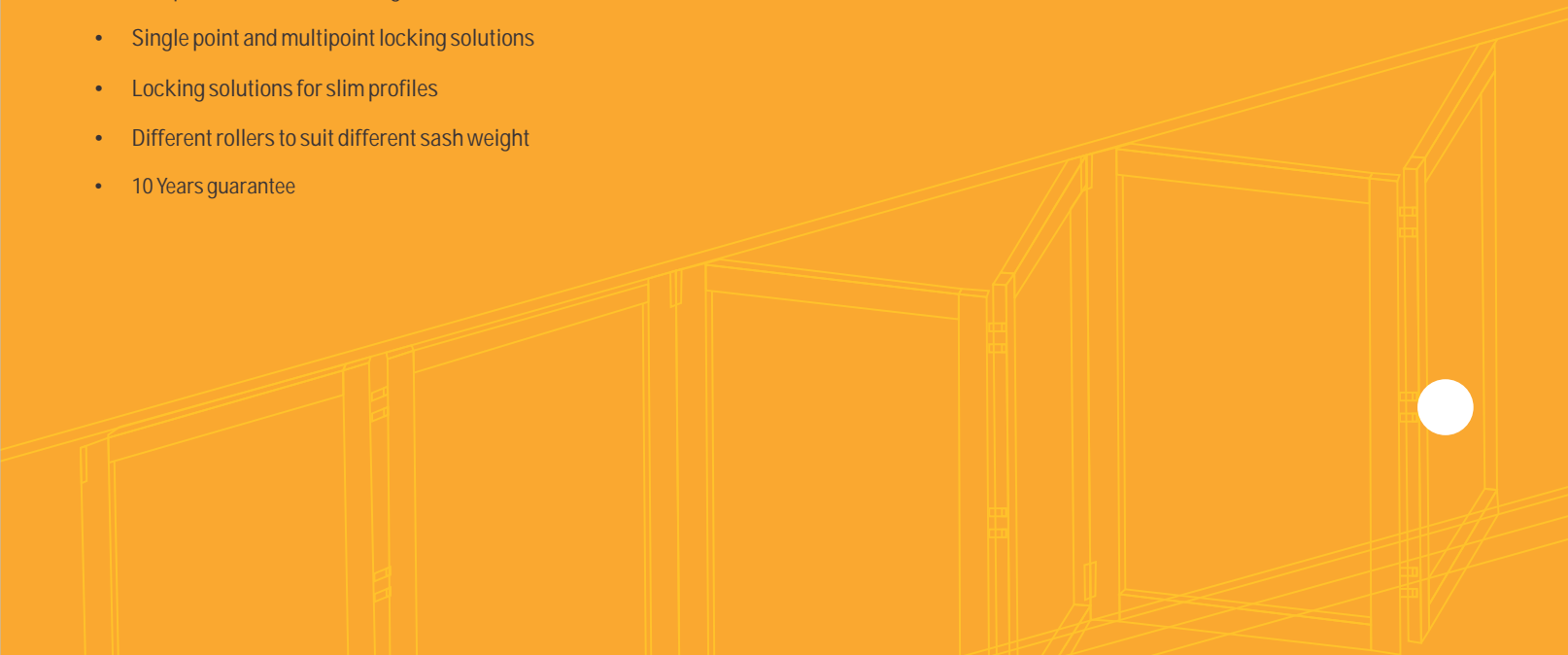
PL25801



www.pulsehardware.com


Sense . Style . Security

- Complete solutions for sliding windows
- Single point and multipoint locking solutions
- Locking solutions for slim profiles
- Different rollers to suit different sash weight
- 10 Years guarantee



www.pulsehardware.com

uPVC Hardware



Sense . Style . Security



Espagnolette Handle
Code : PL50512

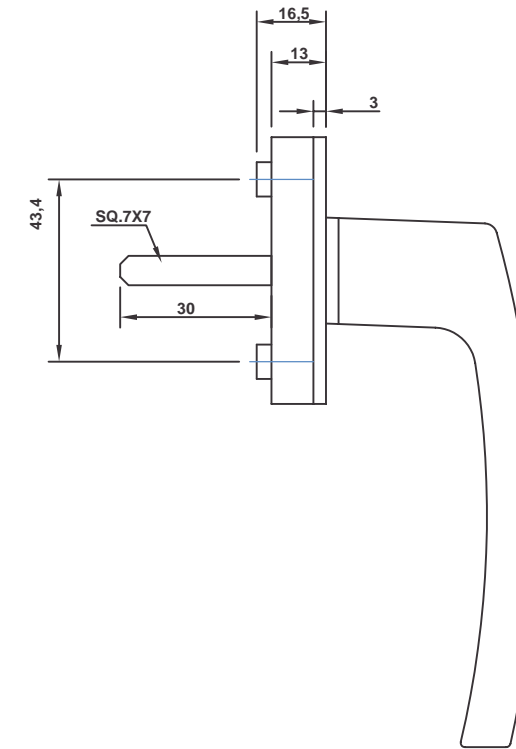
- Application : uPVC sliding window
- Finish : Powder coated white
- Special Feature : Multipoint locking handle for sliding handle without key

We guarantee dispatch within 48 hours of order confirmation

For enquiry call us now on +91-11-47348888, email: info@pulsehardware.com



Sense . Style . Security



Espagnolette Handle
Code : PL50512

VER-2

www.pulsehardware.com

uPVC Hardware



Sense . Style . Security



Espagnolette Handle
Code : PL50522

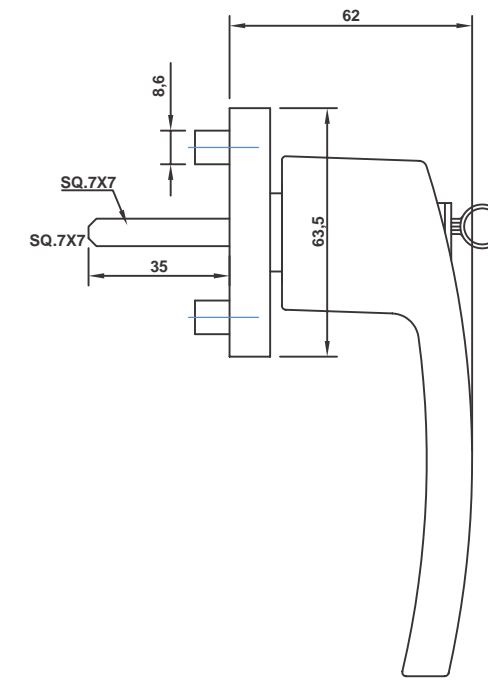
- Application : uPVC sliding window
- Finish : Powder coated white
- Special Feature : Multipoint locking handle for sliding handle with key

We guarantee dispatch within 48 hours of order confirmation

For enquiry call us now on +91-11-47348888, email: info@pulsehardware.com



Sense . Style . Security



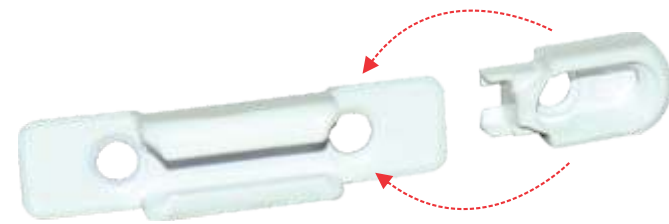
Espagnolette Handle
Code : PL50522

VER-2



Sense . Style . Security

Striker (White)
Code : PL50921/22

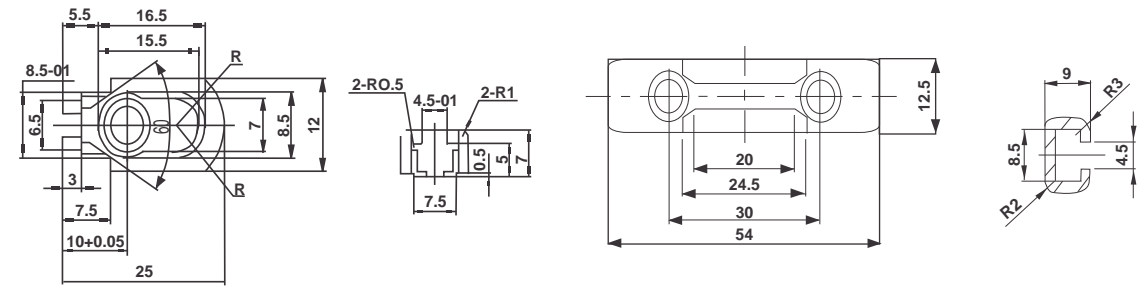


- Application : uPVC sliding window
- Finish : Powder coated white
- Special Feature : it has anti-lift feature for extra security measure

We guarantee dispatch within 48 hours of order confirmation



Sense . Style . Security

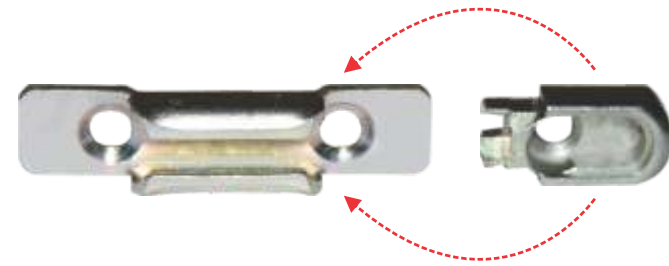


Striker
Code : PL50921/22



Sense . Style . Security

Striker (Silver)
Code : PL50921/22

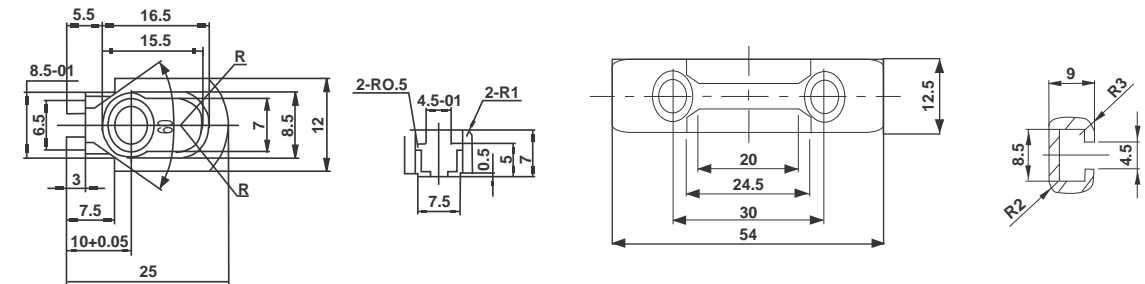


- Application : uPVC sliding window
- Finish : Powder coated white
- Special Feature : it has anti-lift feature for extra security measure

We guarantee dispatch within 48 hours of order confirmation



Sense . Style . Security



Striker
Code : PL50921/22

www.pulsehardware.com

uPVC Hardware



Sense . Style . Security

Striker (Silver)
Code : PL50923



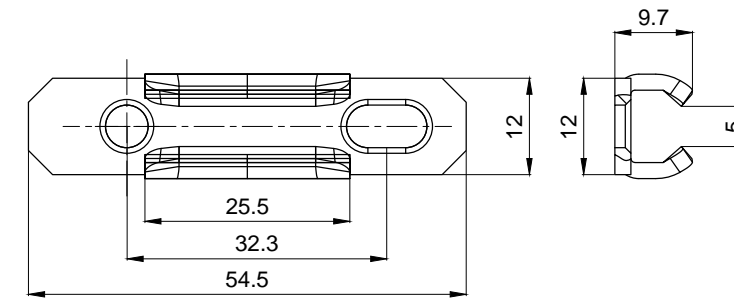
Application : uPVC sliding window
Finish : Powder coated white
Special Feature : it has anti-lift feature for extra security measure

We guarantee dispatch within 48 hours of order confirmation

For enquiry call us now on +91-11-47348888, email: info@pulsehardware.com



Sense . Style . Security



Striker (Silver)
Code : PL50923

VER-2

www.pulsehardware.com

uPVC Hardware



Sense . Style . Security

Striker (Silver)
Code : PL50924



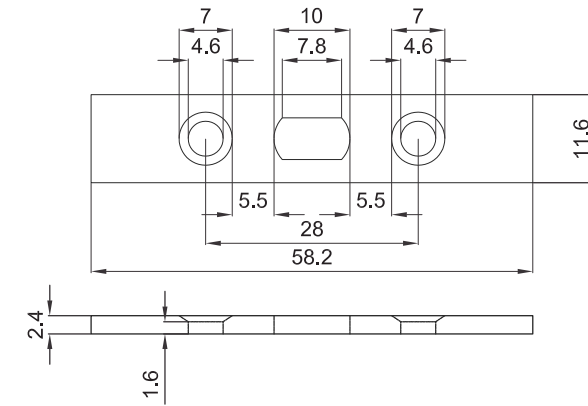
Application : uPVC sliding window
Finish : Powder coated white
Special Feature : it has anti-lift feature for extra security measure

We guarantee dispatch within 48 hours of order confirmation

For enquiry call us now on +91-11-47348888, email: info@pulsehardware.com



Sense . Style . Security



Striker (Silver)
Code : PL50924

VER-2



Sense . Style . Security

Espagnolette
Code : PL50811, PL50831, PL50841, PL50851, PL50881



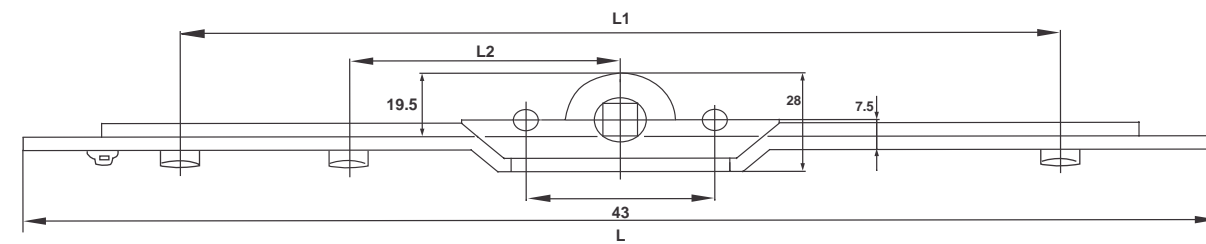
- Application : uPVC sliding window
- Finish : Galvanized steel
- Special Feature : Multipoint locking mechanism for sliding windows
- : 2 or 3 locking points and anti lift mechanism for enhanced security
- : Rubber stopper for noiseless closing
- : 7.5mm backset

We guarantee dispatch within 48 hours of order confirmation

For enquiry call us now on +91-11-47348888, email: info@pulsehardware.com



Sense . Style . Security



Code	Backset (mm)	L(mm)	L1(mm)	L2(mm)	Spindle DIA.(mm)	Remark
PL50811	7.5	400	400	NA	7	Non-Lockable
PL50831	7.5	800	560	NA	7	Non-Lockable
PL50841	7.5	1000	760	NA	7	Non-Lockable
PL50851	7.5	1200	960	170	7	Non-Lockable
PL50881	7.5	1800	1560	170	7	Non-Lockable



www.pulsehardware.com

uPVC Hardware



Sense . Style . Security

Espagnolette
Code : PL50812, PL50832, PL50842, PL50852, PL50882



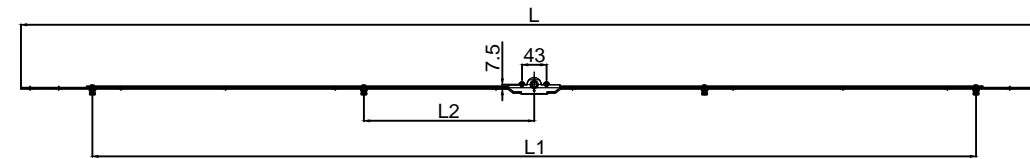
- Application : uPVC sliding window
- Finish : Galvanized steel
- Special Feature : Multipoint locking mechanism for sliding windows
- : 2 or 3 locking points and anti lift mechanism for enhanced security
- : 7.5mm backset

We guarantee dispatch within 48 hours of order confirmation

For enquiry call us now on +91-11-47348888, email: info@pulsehardware.com



Sense . Style . Security



Code	Backset (mm)	L(mm)	L1(mm)	L2(mm)	Spindle DIA.(mm)	Remark
PL50812	7.5	400	264	NA	7	Non-Lockable
PL50832	7.5	800	546	NA	7	Non-Lockable
PL50842	7.5	1000	746	92	7	Non-Lockable
PL50852	7.5	1200	946	92	7	Non-Lockable
PL50882	7.5	1800	1546	298	7	Non-Lockable



VER-2

www.pulsehardware.com

uPVC Hardware



Sense . Style . Security



Pop-Up Handle
Code : PL50602

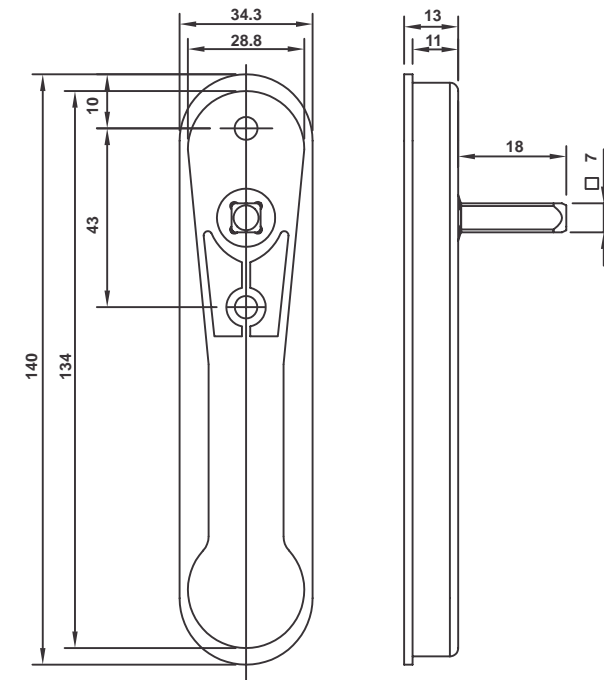
Application : uPVC sliding window / door
Finish : Powder coated white
Special Feature : Multipoint locking flush handle for sliding window/door without key

We guarantee dispatch within 48 hours of order confirmation

For enquiry call us now on +91-11-47348888, email: info@pulsehardware.com



Sense . Style . Security



Pop-Up Handle
Code : PL50602

VER-2



Sense . Style . Security



Single Roller With Groove
PL50573A



Single Roller With Groove
PL50574A



Double Roller With Groove
PL50671A

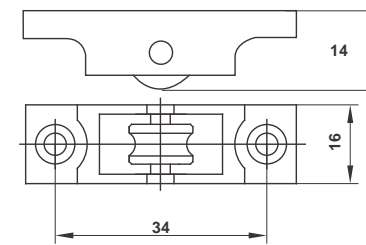
- Application : uPVC sliding window
- Finish : Zinc / Stainless steel
- Special Feature : Made to fit all euro groove and non euro groove profiles
- : Choices available for different sash weight
- : Made of high quality zinc alloy or plated steel body and nylon wheels
- : High quality needle bearing for noiseless operation and high load bearing capacity

We guarantee dispatch within 48 hours of order confirmation

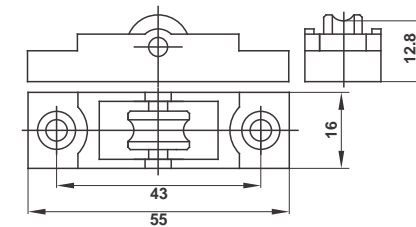
For enquiry call us now on +91-11-47348888, email: info@pulsehardware.com



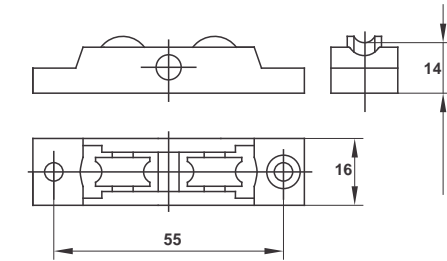
Sense . Style . Security



Single Roller With Groove
PL50573A



Single Roller With Groove
PL50574A



Double Roller With Groove
PL50671A



Code	Roller type	Width (mm)	Height (mm)	Weight (mm)
PL50573A	Single Roller with Groove	16	14	40
PL50574A	Single Roller with Groove	16	12.8	40
PL50671A	Double Roller with Groove	16	14	60

www.pulsehardware.com

uPVC Hardware



Sense . Style . Security



Touch Lock
Code : PL50152L/PL50152R

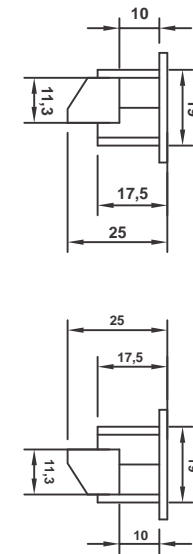
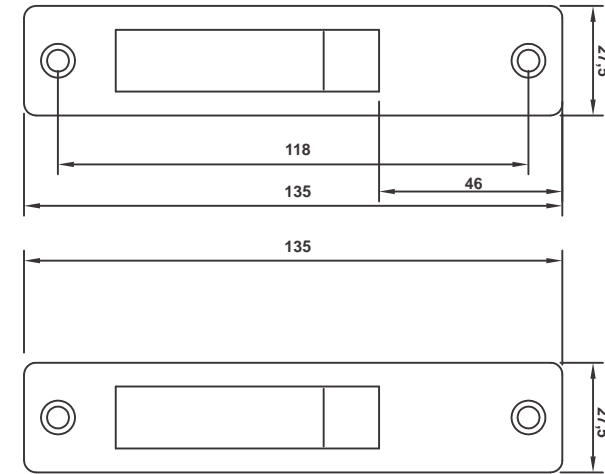
- Application : uPVC sliding door
- Finish : Powder coated white
- Special Feature : Single point sliding handle
- : Made of high quality aluminium diecasting
- : Fits all uPVC profile systems

We guarantee dispatch within 48 hours of order confirmation

For enquiry call us now on +91-11-47348888, email: info@pulsehardware.com



Sense . Style . Security



Touch Lock
Code : PL50152L/PL50152R

VER-2

www.pulsehardware.com

uPVC Hardware



Sense . Style . Security

Crescent Lock
Code : PL50122L, PL50122R



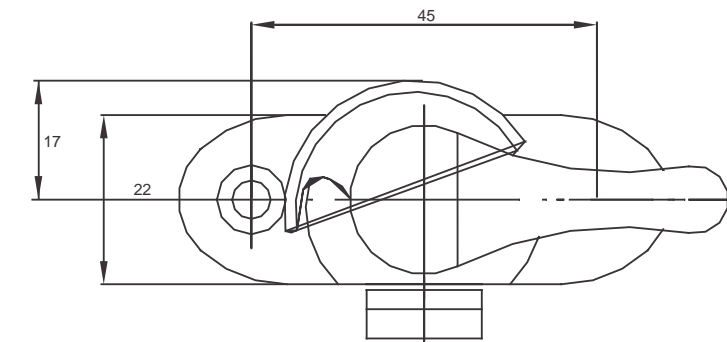
Application : uPVC sliding window
Finish : Powder coated white
Special Feature : Central locking for uPVC windows

We guarantee dispatch within 48 hours of order confirmation

For enquiry call us now on +91-11-47348888, email: info@pulsehardware.com



Sense . Style . Security



Crescent Lock
Code : PL50122L, PL50962R

VER-2



Sliding
Door

www.pulsehardware.com

- Complete solutions for sliding door
- Different handles to suit aesthetics and function
- Rollers to match size and weight
- 10 Years guarantee



Sense . Style . Security

Espagnolette-Double Handle
Code : PL25322



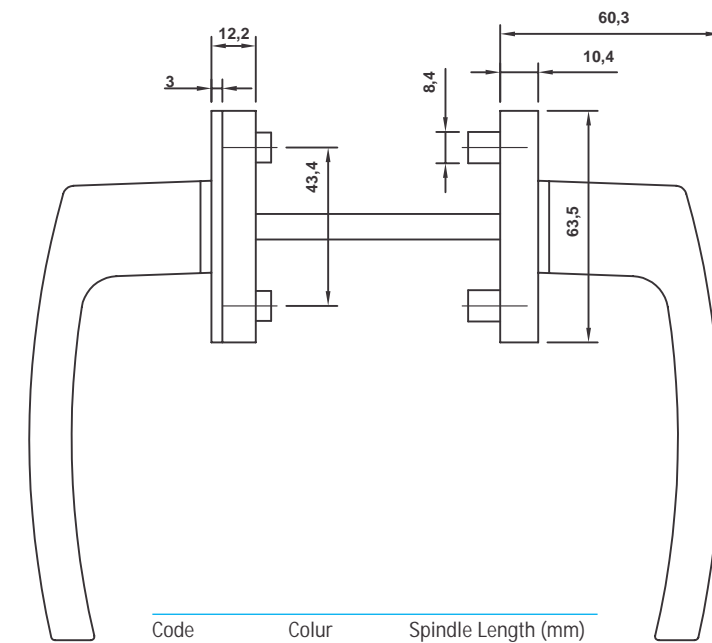
- Application : uPVC casement and sliding door
- Finish : Powder coated white
- Special Feature : Multipoint door handle with both side operation without key

We guarantee dispatch within 48 hours of order confirmation

For enquiry call us now on +91-11-47348888, email: info@pulsehardware.com



Sense . Style . Security



Code	Colour	Spindle Length (mm)
PL25322	White	115

Espagnolette-Double Handle
Code : PL25322



Sense . Style . Security

Espagnolette-Double Handle
Code : PL25332



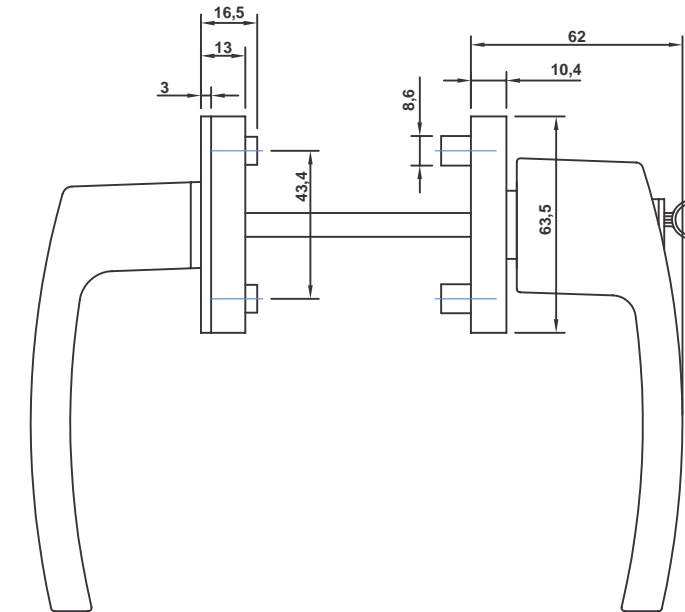
- Application : uPVC casement and sliding door
- Finish : Powder coated white
- Special Feature : Multipoint door handle with both side operation with one side key

We guarantee dispatch within 48 hours of order confirmation

For enquiry call us now on +91-11-47348888, email: info@pulsehardware.com



Sense . Style . Security



Code	Colour	Spindle Length (mm)	Remark
PL25332	White	115	One side key

Espagnolette-Double Handle
Code : PL25332

www.pulsehardware.com

uPVC Hardware



Sense . Style . Security

Espagnolette
Code : PL75461/PL75471



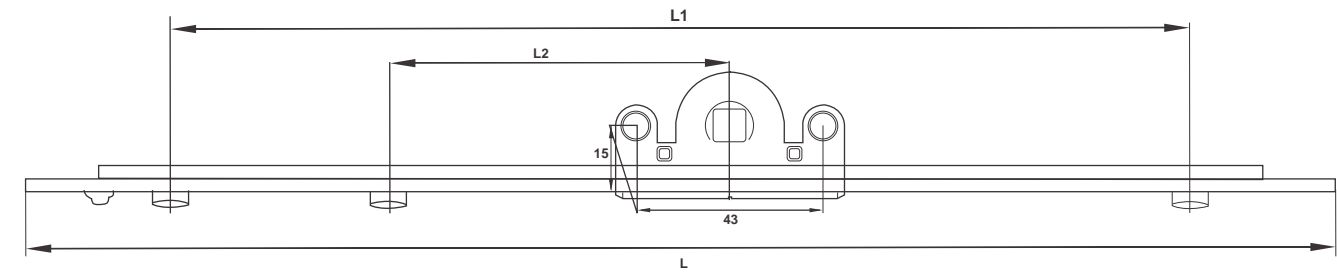
- Application : uPVC sliding door
- Finish : Zinc plated
- Special Feature : Multipoint locking mechanism for sliding windows
- : 3 locking points and anti lift mechanism for enhanced security
- : Rubber stopper for noiseless closing
- : 15mm backset

We guarantee dispatch within 48 hours of order confirmation

For enquiry call us now on +91-11-47348888, email: info@pulsehardware.com



Sense . Style . Security



Code	Backset (mm)	L(mm)	L1(mm)	L2(mm)	Spindle Dia.(mm)	Remark
PL75461	15	1800	1560	170	7	Non-Lockable
PL75471	15	2100	1800	170	7	Non-Lockable



VER-2

www.pulsehardware.com

uPVC Hardware



Sense . Style . Security

Espagnolette
Code : PL75462/PL75472



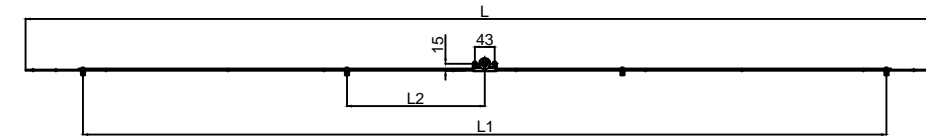
- Application : uPVC sliding door
- Finish : Zinc plated
- Special Feature : Multipoint locking mechanism for sliding windows
- : 3 locking points and anti lift mechanism for enhanced security
- : 15mm backset

We guarantee dispatch within 48 hours of order confirmation

For enquiry call us now on +91-11-47348888, email: info@pulsehardware.com



Sense . Style . Security



Code	Backset (mm)	L(mm)	L1(mm)	L2(mm)	Spindle Dia.(mm)	Remark
PL75462	15	1800	1550	300	7	Non-Lockable
PL75472	15	2000	1750	300	7	Non-Lockable

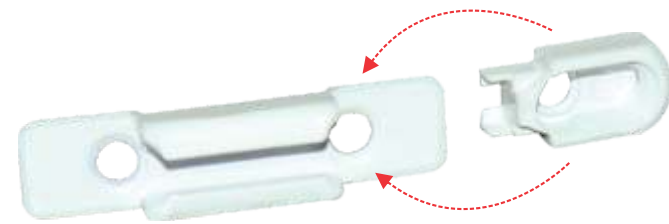


VER-2



Sense . Style . Security

Striker (White)
Code : PL50921/22

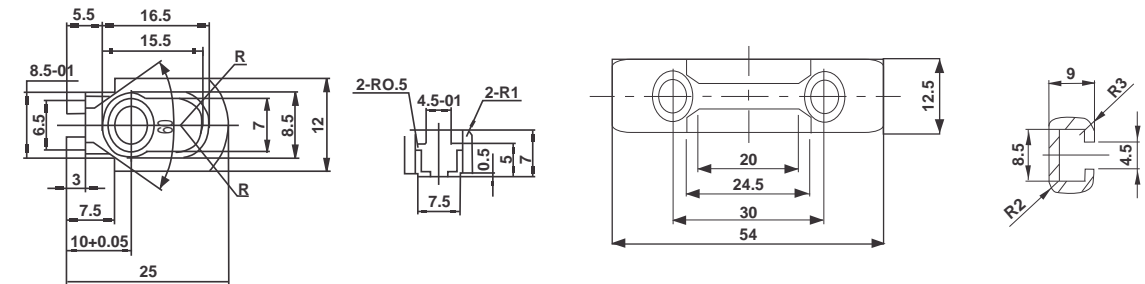


- Application : uPVC sliding window
- Finish : Powder coated white
- Special Feature : it has anti-lift feature for extra security measure

We guarantee dispatch within 48 hours of order confirmation



Sense . Style . Security

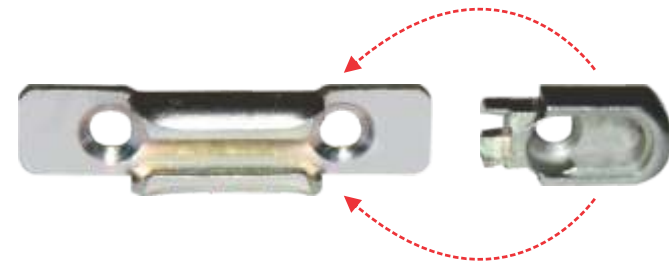


Striker
Code : PL50921/22



Sense . Style . Security

Striker (Silver)
Code : PL50921/22

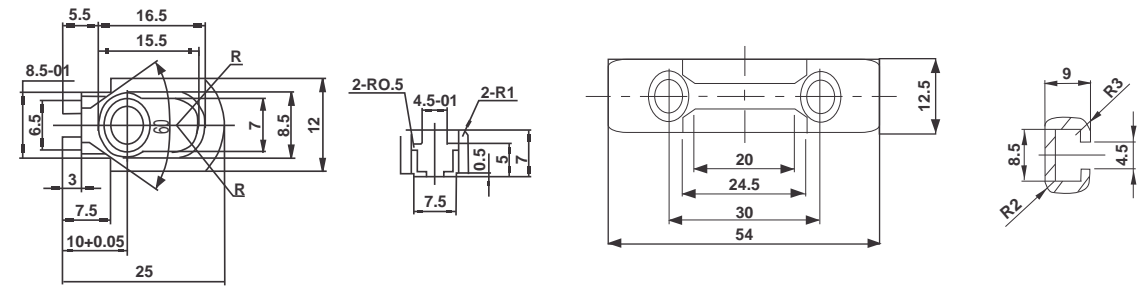


- Application : uPVC sliding window
- Finish : Powder coated white
- Special Feature : it has anti-lift feature for extra security measure

We guarantee dispatch within 48 hours of order confirmation



Sense . Style . Security



Striker
Code : PL50921/22

www.pulsehardware.com

uPVC Hardware



Sense . Style . Security

Striker (Silver)
Code : PL50923



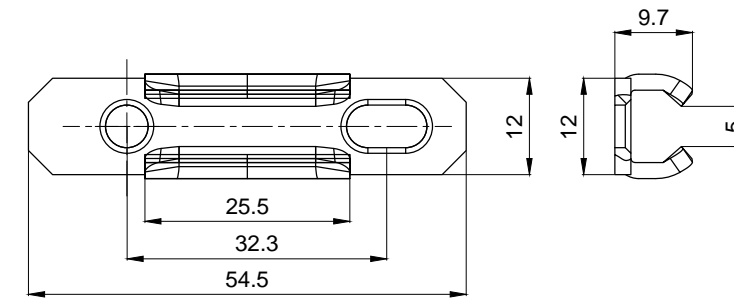
Application : uPVC sliding window
Finish : Powder coated white
Special Feature : it has anti-lift feature for extra security measure

We guarantee dispatch within 48 hours of order confirmation

For enquiry call us now on +91-11-47348888, email: info@pulsehardware.com



Sense . Style . Security



Striker (Silver)
Code : PL50923

VER-2

www.pulsehardware.com

uPVC Hardware



Sense . Style . Security

Striker (Silver)
Code : PL50924



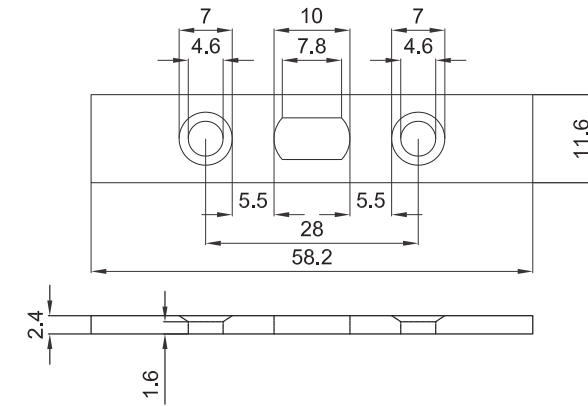
Application : uPVC sliding window
Finish : Powder coated white
Special Feature : it has anti-lift feature for extra security measure

We guarantee dispatch within 48 hours of order confirmation

For enquiry call us now on +91-11-47348888, email: info@pulsehardware.com



Sense . Style . Security



Striker (Silver)
Code : PL50924

VER-2

www.pulsehardware.com

uPVC Hardware



Sense . Style . Security

uPVC Sliding Door Adjustable Roller
Code : PL75772



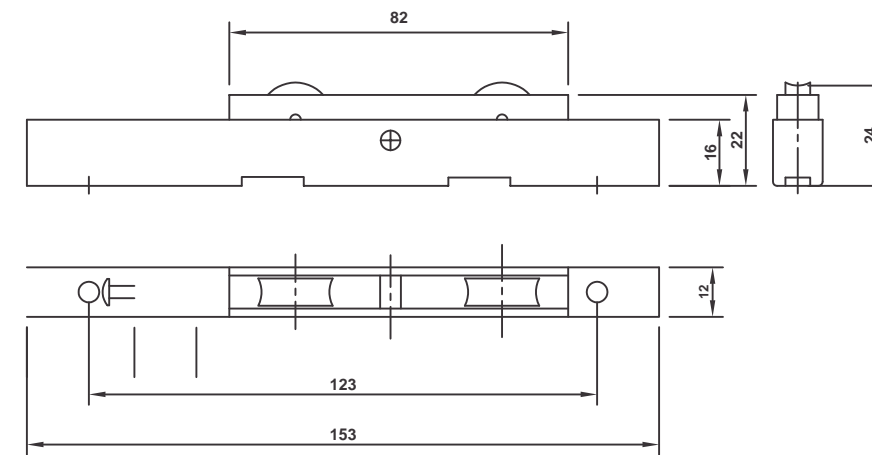
- Application : uPVC sliding door
- Finish : SS304 stainless steel body with nylon rollers
- Special Feature : Adjustable double rollers
: 120 kg capacity for two rollers

We guarantee dispatch within 48 hours of order confirmation

For enquiry call us now on +91-11-47348888, email: info@pulsehardware.com



Sense . Style . Security



Code	Colour	Width (mm)	Height (mm)	Weight (mm)
PL75772	Double Roller With Groove (Adjustable)	12	16	120



VER-2